

A Cheapskate's SDR

“On a stick”

Bruce Ratoff, KO4XL

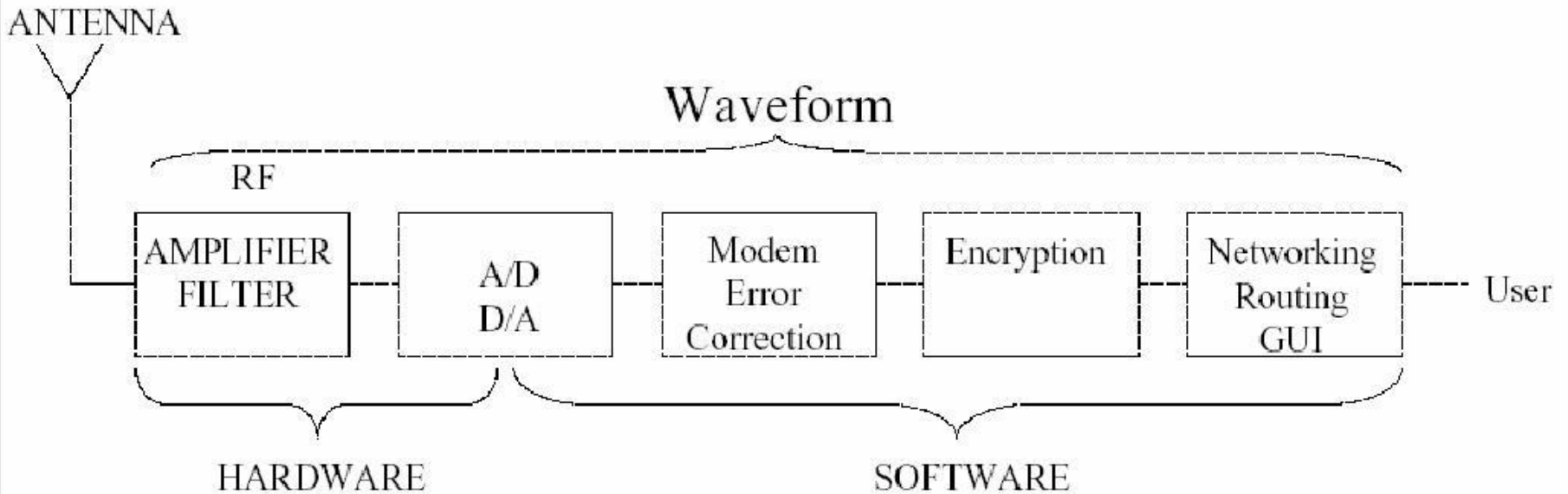
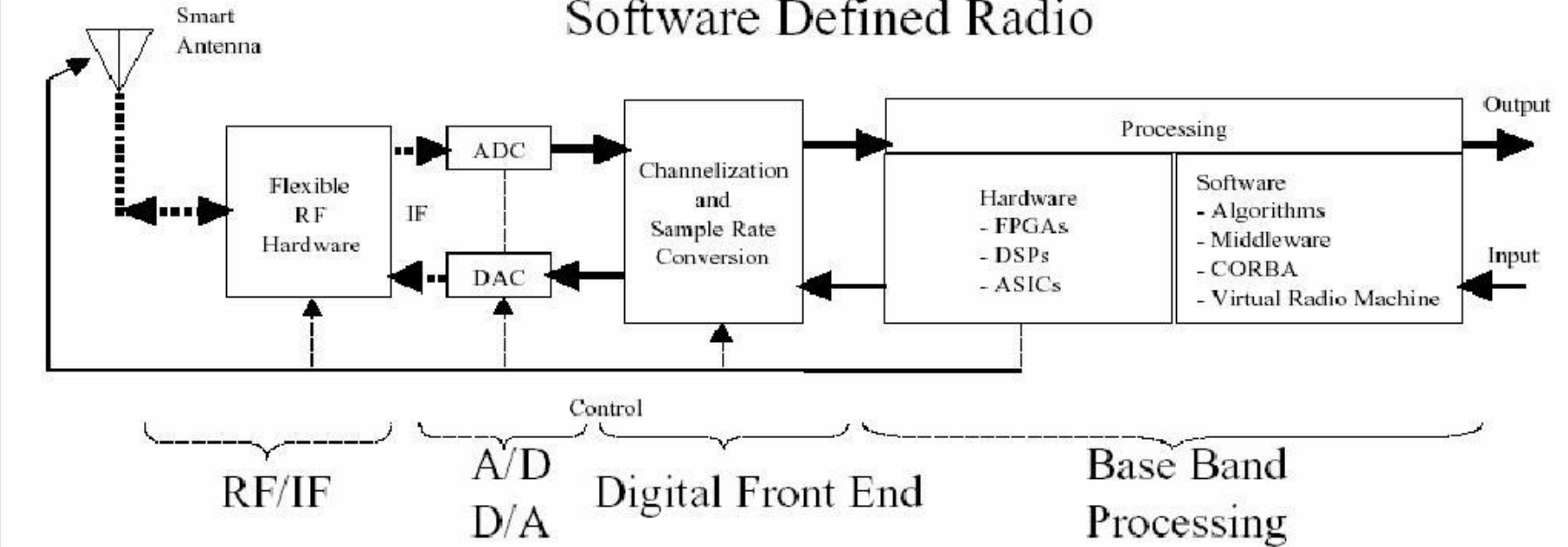
Why?

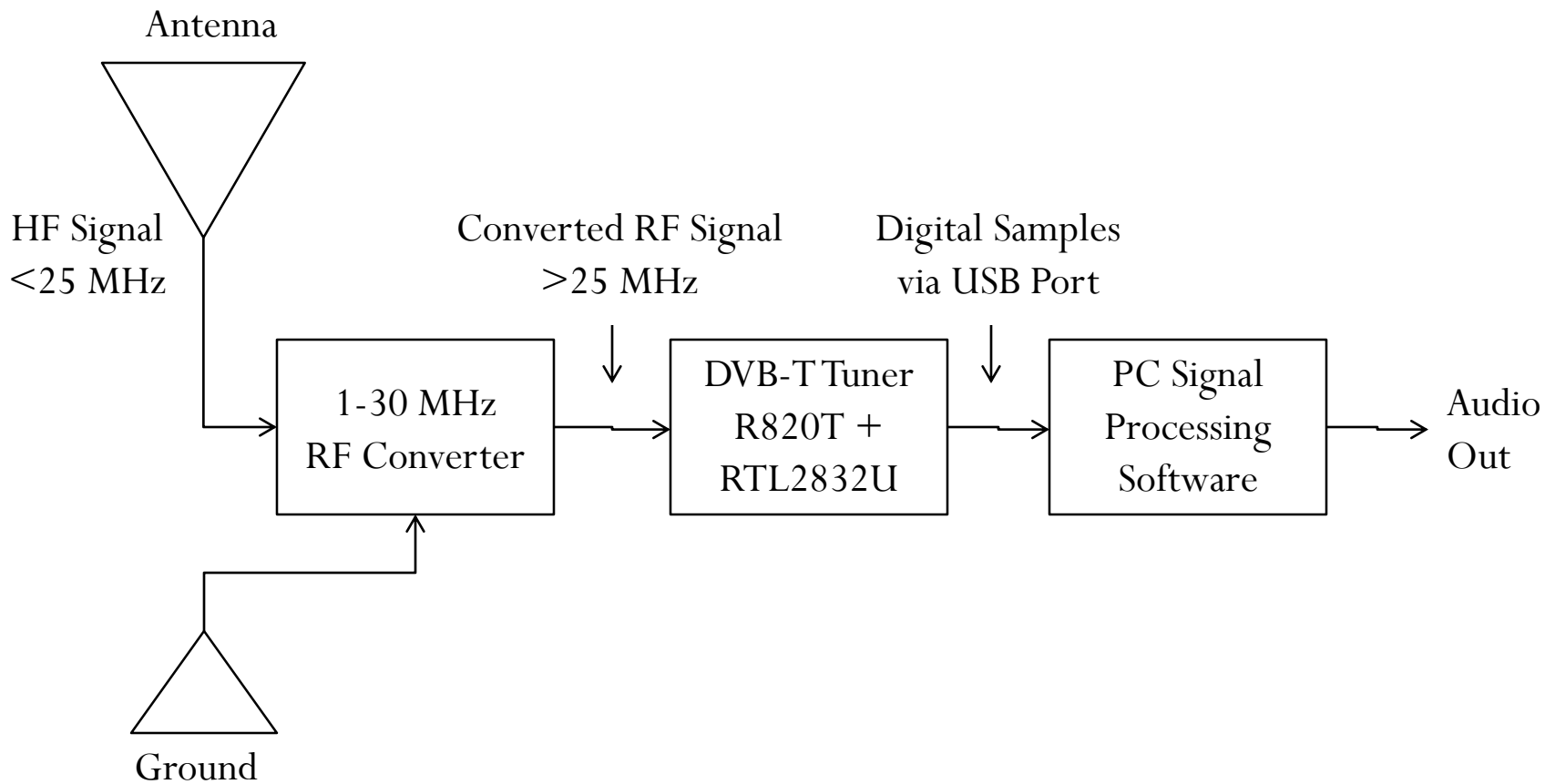
- Low cost entry to SDR world
 - Experiment with SDR without a major investment
 - Free software
 - Receive only
- Compact and Portable
 - Small laptop computer
 - DVB-T USB stick
 - Simple HF adapter (in an Altoids can, of course!)
- Simple
 - Works reasonably well with random wire antenna
 - VHF/UHF does not need adapter
- Inspired by article in July 2015 Nuts and Volts

What is a Software Defined Radio?

- A radio system where traditional analog circuits (mixers, filters, detectors, modulators, etc.) have been replaced by software algorithms running on a PC or embedded processor
- Not a new concept, but has become much more feasible as LSI and PC technology has advanced
- Typical configuration:
 - PC with sound card - mainly for audio out
 - RF front end – converts RF to a stream of digital samples
 - Software
 - Control front end
 - Mathematical algorithms for signal processing

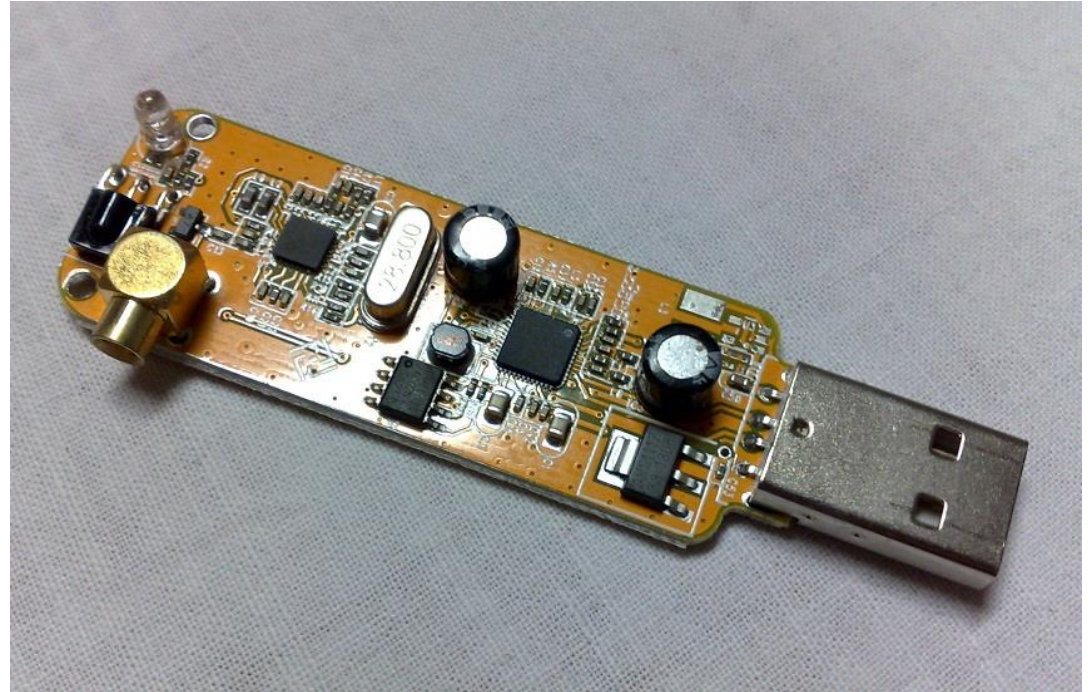
Software Defined Radio





DVB-T Tuner

- Originally intended for European TV / FM reception
- Can tune ~ 24 MHz - ~ 1.7 GHz
- USB 2.0 output
- Weird antenna connector (MCX) – requires pigtail
- IMPORTANT: Must be the right chip set!
 - Rafael Micro R820T tuner
 - Realtek RTL2832U controller / USB interface
- USB stick and pigtail \sim \$10 on ebay





Shop by category

Search for anything

All Categories

Back to search results | Listed in category: Consumer Electronics > TV, Video & Home Audio > TV, Video & Audio Accessories > Video Cables & Interconnects



ALWAYS BE FINDING TRADE OPPORTUNITIES
Real-Time Analytics on Active Trader Pro™

GET 500 FREE TRADES

Fidelity INVESTMENTS

Read additional information.
Fidelity Brokerage Services, Member NYSE, SIPC. © 2018 FMR LLC. All rights reserved. 769815.2.0

USB2.0 Digital DVB-T SDR+DAB+FM HDTV Tuner Receiver Stick HE RTL2832U+R820T2 *#

Condition: **New**

Pattern:

Quantity: 10 available / 2 sold

Price: **US \$8.95**

Buy It Now

Add to cart

[Add to watch list](#)

Free shipping

30-day returns

Seller information

lusomuch (95991) ★
97% Positive feedback

[Save this Seller](#)
[Contact seller](#)
[Visit store](#)

PROGRESSIVE

Chat. Click. Call.

Your quote, your way

[Connect with Flo on Messenger](#)

Get a Quote



Shipping: **FREE** Economy Shipping from outside US | [See details](#)

See details about international shipping here.

Item location: Selangor, Malaysia

Ships to: Worldwide [See exclusions](#)

Delivery: **Estimated between Thu. Aug. 2 and Wed. Sep. 5**
Please note the delivery estimate is greater than 7 business days.

Payments:

PayPal CREDIT

Special financing available. [Apply Now](#) | [See terms](#)

Returns: 30 day returns. Buyer pays for return shipping | [See details](#)

Guarantee: **ebay** MONEY BACK GUARANTEE | [See details](#)

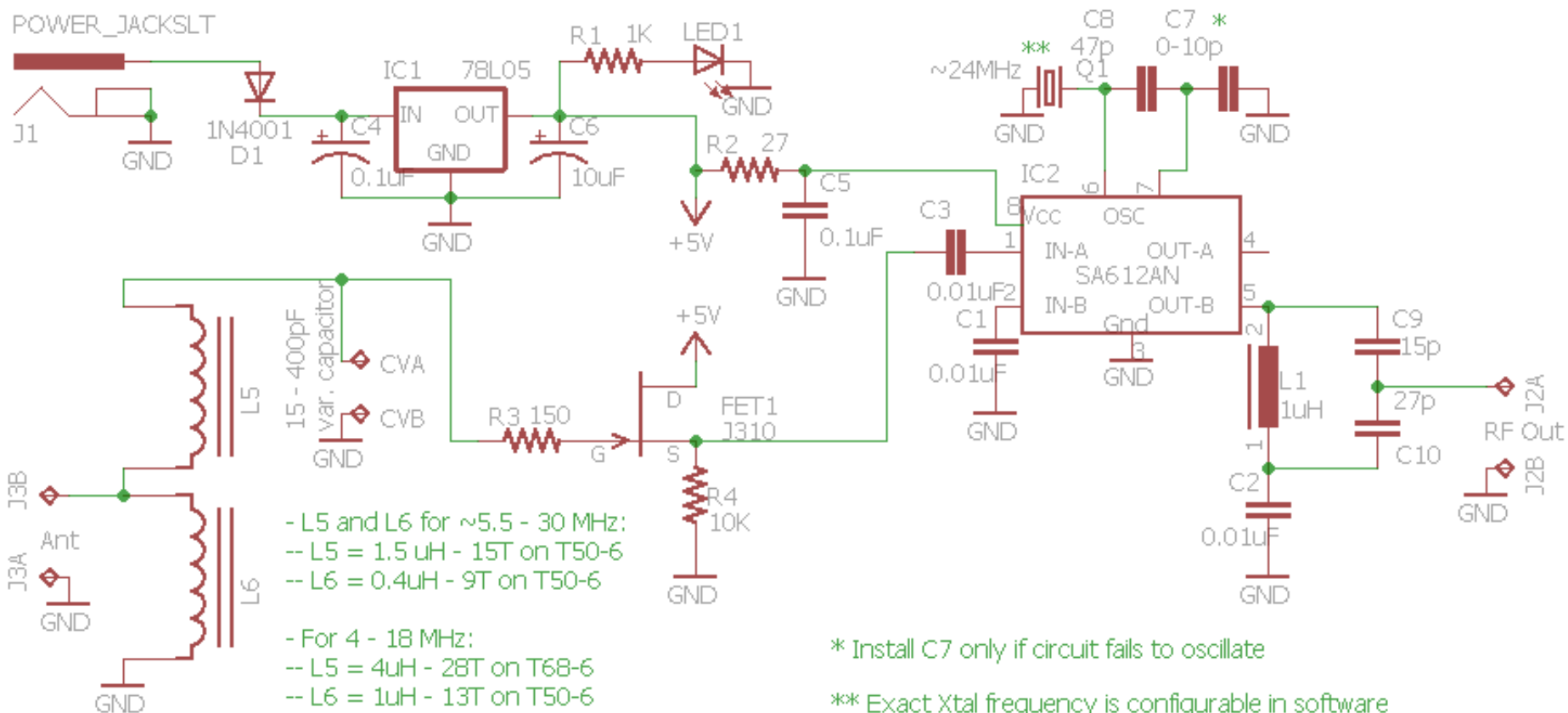
Get the item you ordered or get your money back.
Covers your purchase price and original shipping.

\$ Have one to sell? [Sell now](#)

RF Converter

- Shifts HF signals up into the VHF range so that the DVB-T can receive them
- 3 basic sections:
 - Power supply
 - Provides regulated 5v from battery or wall wart
 - Input filter and FET preamp
 - Reduces interference from strong out-of-band stations
 - Improves sensitivity
 - Oscillator / Mixer in a chip (SA612)
 - Frequency conversion by traditional heterodyning technique
 - Crystal based local oscillator for stability

POWER JACKSLT



- L5 and L6 for ~5.5 - 30 MHz:
-- L5 = 1.5 uH - 15T on T50-6
-- L6 = 0.4uH - 9T on T50-6

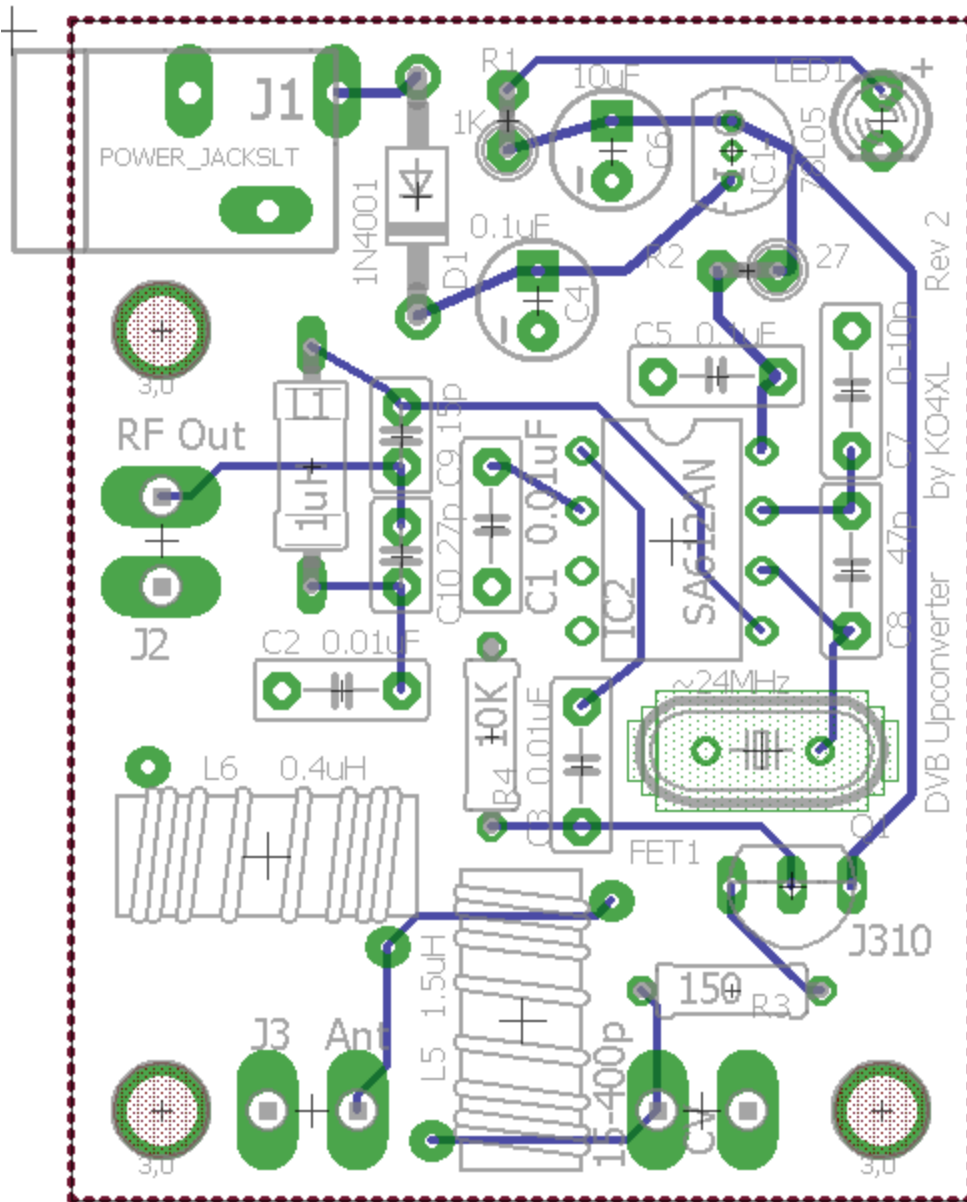
- For 4 - 18 MHz:
-- L5 = 4uH - 28T on T68-6
-- L6 = 1uH - 13T on T50-6

- For 2 - 9 MHz:
-- L5 = 16uH - 56T on T68-6
-- L6 = 2uH - 20T on T50-6

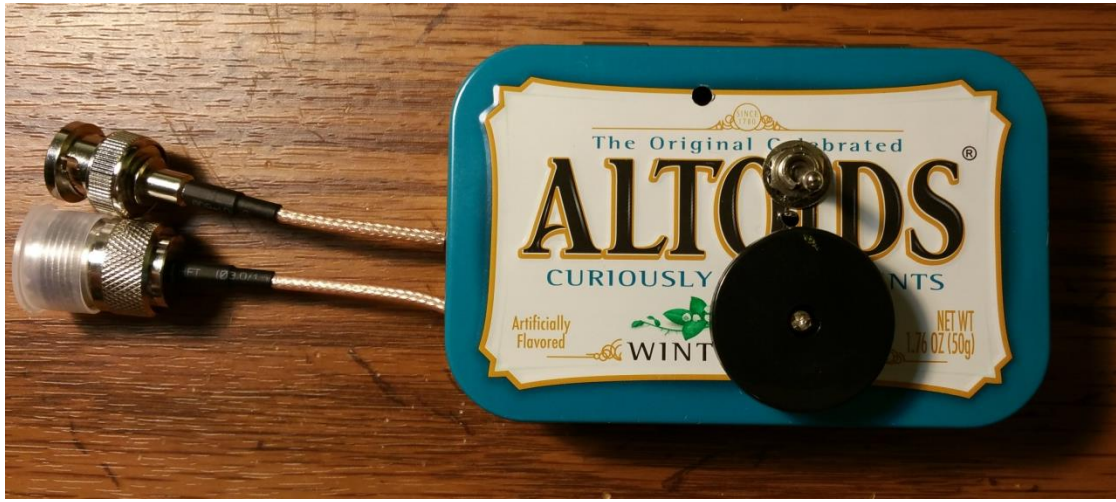
* Install C7 only if circuit fails to oscillate

** Exact Xtal frequency is configurable in software





- Created board using Eagle CAD free edition
- Layout is important
 - Top and bottom layer ground planes
 - Keep all connections short
 - Isolate functional areas
 - No sharp bends
- Send CAD output to proto board house
 - Inexpensive and way less hassle than etching your own board
 - 2-sided
 - 1.6mm fiberglass
 - Solder mask both sides
 - Silk screen both sides
- Board cost: \$2 to \$5 depending on quantity





Shop by category

Search for anything

All Categories

Back to search results | Listed in category: Business & Industrial > Electrical & Test Equipment > Electronic Components > Semiconductors & Actives > Integrated Circuits (ICs) > Other Integrated Circuits



CHOOSE MUTUAL FUNDS BY EXPENSES

1P x SA612AN IC SA612A Double-Balanced Mixer Oscillator VHF

Condition: **New**

Quantity:

294 available / 6 sold

Price: **US \$2.79**

Buy It Now

Add to cart

[Add to watch list](#)

Free shipping

30-day returns

Longtime member



Seller information

janeh2100 (105666 ★)
99.3% Positive feedback

[Save this Seller](#)

[Contact seller](#)

[Visit store](#)

Shipping: **FREE** Standard Shipping from outside US | [See details](#)

See details about international shipping here.

Item location: HK, Hong Kong

Ships to: Worldwide | [See exclusions](#)

Delivery: Estimated between **Tue, Jul. 31** and **Thu, Aug. 9**

Payments:

PayPal CREDIT

Special financing available. [Apply Now](#) | [See terms](#)

Returns: 30 day returns. Buyer pays for return shipping | [See details](#)

Guarantee: **ebay** MONEY BACK GUARANTEE | [See details](#)

Get the item you ordered or get your money back.
Covers your purchase price and original shipping.

Have one to sell? [Sell now](#)

CHO
MUTUAL FI
EXPE





Shop by category

Search for anything

All Categories

Back to search results | Listed in category: Business & Industrial > Electrical & Test Equipment > Electronic Components > Passive Components > Crystals & Oscillators



New **ULTRA CARAMEL FRAPPUCCINO®**
blended beverage



FIND YOUR STORE

Afternoon
MADE




5PCS



5pcs New 24.000MHZ 24MHZ 24M HZ HC-49S Crystal Oscillator

★★★★★ Be the first to write a review.

Condition: **New**

Quantity:

More than 10 available

Price: **US \$0.99**

Buy It Now

Add to cart

Best Offer:

Make Offer

[Add to watch list](#)

Free shipping

60-day returns

Longtime member

Shipping: **FREE** Economy Shipping from outside US | [See details](#)

See details about international shipping here.

Item location: wenzhou, China

Ships to: Worldwide [See exclusions](#)

Delivery: **Estimated between Thu. Aug. 9 and Thu. Sep. 13**

Please note the delivery estimate is **greater than 12 business days.**

Payments:     

PayPal CREDIT

Special financing available. [Apply Now](#) | [See terms](#)

Returns: 60 day returns. Buyer pays for return shipping | [See details](#)

Guarantee: **ebay** MONEY BACK GUARANTEE | [See details](#)

Get the item you ordered or get your money back. Covers your purchase price and original shipping.

Seller information

socoolmart (58353) ★

99.7% Positive feedback

[Save this Seller](#)

[Contact seller](#)

[Visit store](#)

40%
PAINT

JULY 20-23




\$ Have one to sell? [Sell now](#)

It Pays to Shop on eBay
 Earn 2 points* per \$1 spent on eBay with the eBay Extras Mastercard*
 *See Rewards Program Terms for details

[Learn More](#)



5Pcs Yellow Micrometals T50-6 Iron Powder Toroidal Core RF Toroid TB

Condition: **New**
Quantity: More than 10 available / 4 sold

Price: **C \$1.90**
Approximately US \$1.45 [Buy It Now](#)

Seller information
trail-blazer21 (239207) ★
98.5% Positive feedback
[Save this Seller](#)

(4 PCS) T-68-6 JW MILLER RF TOROID CORE OD=.690" x ID=.370" x HT=.190"

Condition: **New**
Quantity: 2 available / 1 sold

Price: **US \$5.95** [Buy It Now](#)

Seller information
specspecialty (5005) ★
99.5% Positive feedback
[Save this Seller](#)
[Contact seller](#)

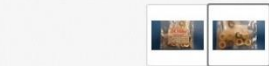


It Pays to Shop on eBay
 Earn 2 points* per \$1 spent on eBay with the eBay Extras Mastercard*
 *See Rewards Program Terms for details

[Learn More](#)



[\\$ Have one to sell?](#) [Sell now](#)



[\\$ Have one to sell?](#) [Sell now](#)

1/5/10/15Pcs JFET Transistor Tube Triode 2SJ310 J310 RF VHF/UHF Amplifier TO-92

Condition: **New**
QTY:
Quantity: More than 10 available / 1 sold

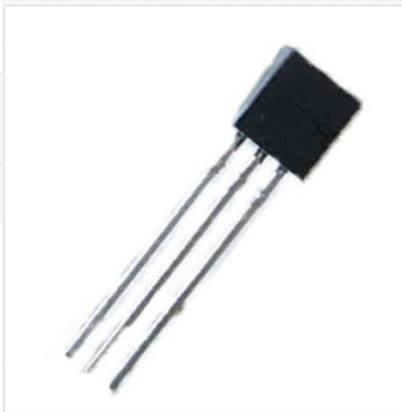
Price: **US \$1.35** [Buy It Now](#)

[Add to cart](#)

[Add to watch list](#)

Free shipping | 30-day returns | Longtime member

Seller information
monsbasket (101710) ★
99% Positive feedback
[Save this Seller](#)
[Contact seller](#)
[Visit store](#)



[\\$ Have one to sell?](#) [Sell now](#)

It Pays to Shop on eBay
 Earn 2 points* per \$1 spent on eBay with the eBay Extras Mastercard*
 *See Rewards Program Terms for details

[Learn More](#)

Shipping: **FREE** Economy Shipping from outside US | [See details](#)

See details about international shipping here: [Item location: HK, Hong Kong](#)
Ships to: Worldwide | [See exclusions](#)

Delivery: **Estimated between Thu, Aug. 9 and Thu, Sep. 13** [See details](#)
Please note the delivery estimate is greater than 12 business days.

Payments: [PayPal](#) [VISA](#) [MasterCard](#) [Discover](#) [American Express](#)

PayPal CREDIT
Special financing available. [Apply Now](#) | [See terms](#)

Ad ~~Insurance~~ insurance for people who love cars | [Quote Now](#)

Returns: 30 day returns. Buyer pays for return shipping | [See details](#)

Guarantee: **eBay MONEY BACK GUARANTEE** | [See details](#)
Get the item you ordered or get your money back. Covers your purchase price and original shipping.



Shop by category Search for anything

All Categories Search

Back to search results | Listed in category: Consumer Electronics > Radio Communication > Parts & Accessories > Coax, Cables & Connectors > See more 15cm Cable BNC Female Jack to MCX Male Plug Ri...

Move your old 401(k)



Investing involves risk, including risk of loss. Fidelity Brokerage Services, Member NYSE, SIPC. © 2017 FMR LLC. All rights reserved. 608227.7.1

\$ EXTRA 5% OFF 2+ ITEMS See all eligible items

Length: 15cm



15cm Cable BNC Female Jack to MCX Male Plug Right Angle RG316 6in Pigtail B1

Top selling product ★★★★★ 4 product ratings

Condition: **New**
Quantity: More than 10 available / 74 sold

Was: **US \$1.73**

You save: \$0.09 (5% off)

Price: **US \$1.64**

Buy It Now

Seller information

bruceshark-001 (29524 ★)
99.1% Positive feedback

Save this Seller
Contact seller
Visit store



Have one to sell? **Sell now**

Length: 20cm



Have one to sell? **Sell now**

It Pays to Shop on eBay

Earn 2 points* per \$1 spent on eBay with the eBay Extras Mastercard®

Learn More

*See Rewards Program Terms for details

20cm RG58 Cable BNC Male Plug to SO239 UHF Female Jack Straight Pigtail 8in BS5.

★★★★★ Be the first to write a review.

Condition: **New**
Quantity: 4 available / 8 sold

Price: **C \$3.77**
Approximately US \$2.87

Buy It Now

Add to cart

Add to watch list

Limited quantity remaining More than 66% sold Free shipping

Shipping: **FREE** Economy Int'l Shipping | See details

See details about international shipping here

Item location: Guang Zhou, China

Ships to: Worldwide | See exclusions

Delivery: **Estimated between Thu. Aug. 2 and Thu. Aug. 16**

Seller ships within 1 day after receiving cleared payment

Please note the delivery estimate is greater than 7 business days.

Payments:

Returns: 60 days, buyer pays return shipping | See details

Guarantee: **ebay MONEY BACK GUARANTEE** | See details

Get the item you ordered or get your money back. Covers your purchase price and original shipping.

Seller information

bruceshark-005 (12874 ★)
99% Positive feedback

Save this Seller
Contact seller
Visit store

It Pays to Shop on eBay

Earn 2 points* per \$1 spent on eBay with the eBay Extras Mastercard®

Learn More

*See Rewards Program Terms for details.

Other essential items

- Power Source
 - 9v battery for converter
 - Laptop's power
- Headphones or ear buds (optional)
- Cables
 - Pigtail adapter for USB stick
 - Antenna wire (and lead-in)
 - Connectors, connectors, connectors!

PC Software

- DO NOT install the software that came with the stick!
- SDR# (“SDR Sharp”)
 - Includes correct USB drivers
 - Provides “virtual radio” user interface
 - Designed for Windows, but will run under Linux using Mono
- Websites:
 - www.rtl-sdr.com/rtl-sdr-quick-start-guide
 - www.rtlsdr.org/softwarewindows
 - inst.eecs.berkeley.edu/~ee123/fa12/rtl_sdr.html
 - airspy.com/download/

SDR# v1.0.0.1379 - IQ Imbalance: Gain = 1.000 Phase = 0.000°

000.014.144.450

Source: RTL-SDR (USB)

Radio: NFM, AM, LSB, USB, WFM, DSB, CW, RAW

Shift: -24,006,490

Filter: Blackman-Harris 4

Bandwidth: 800 Order: 1000

Squelch: 50 CW Shift: 600

FM Stereo Step Size

Snap to Grid 10 Hz

Lock Carrier Correct IQ

Anti-Fading Swap I & Q

Audio, AGC, FFT Display, Zoom FFT *, Noise Blanker *, Digital Noise Reduction *, Recording *, Frequency Manager *

Zoom

Contrast

Range

Offset

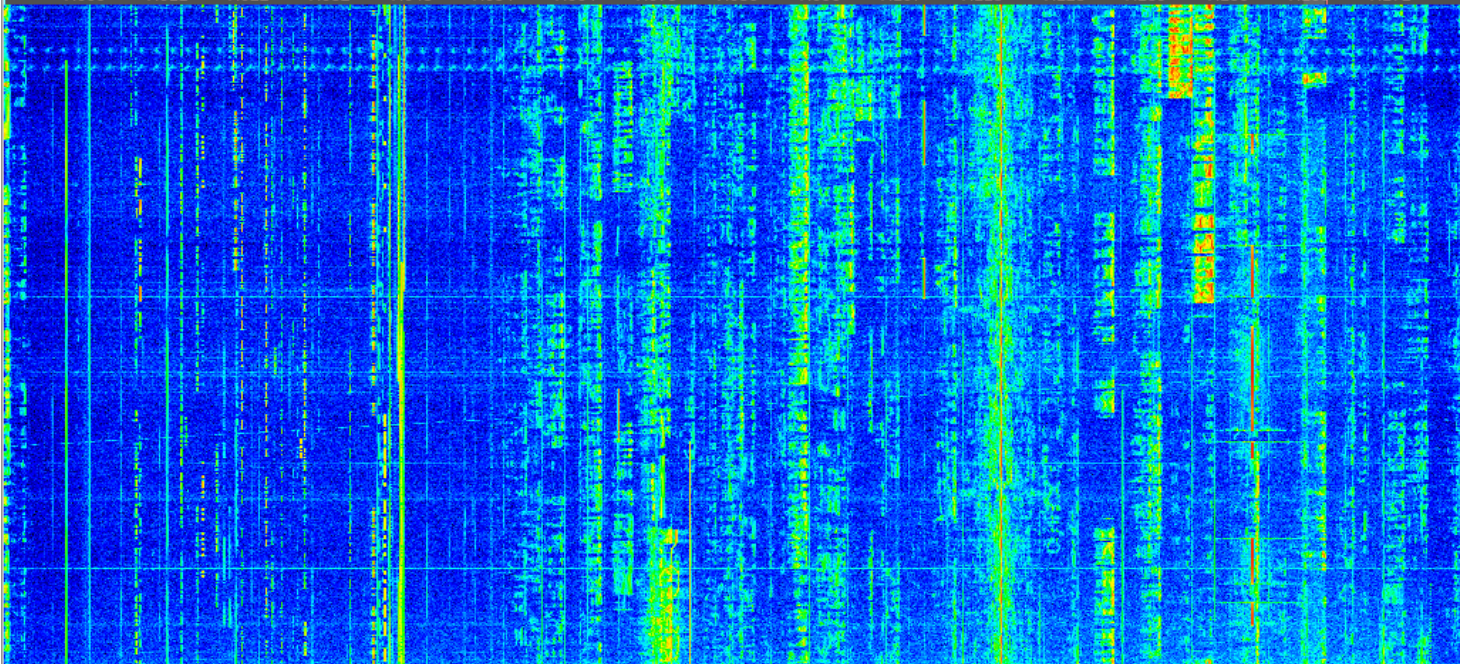
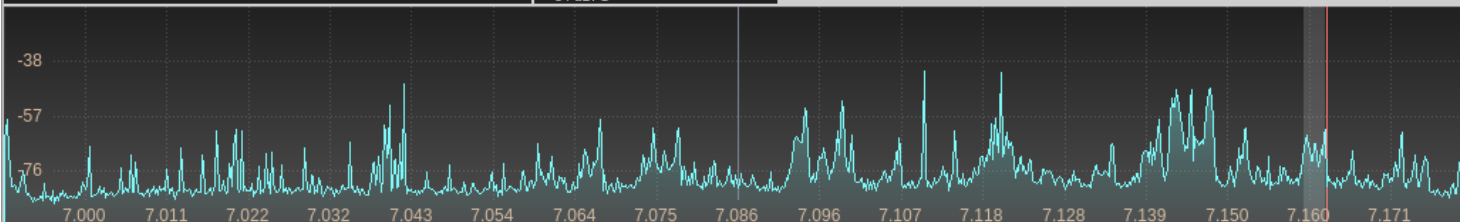
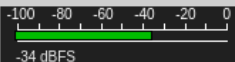
What about linux?

- GNU Radio
 - Ongoing “virtual radio” project
 - Powerful but very complex
 - More of a build-it-yourself kit than a ready to go app
- GQRX
 - Ready to go app powered by GNU Radio
 - <http://gqrx.dk>
- Run SDR# on linux using Mono
 - Not guaranteed, but works in current version

Gqrx v2.1-git-318-g31420fda - fcd=0,type=2,device=hw:2

File Data View Help

7.162 670 MHz



Receiver Options

76.990 kHz

Hardware freq: 7.085680 MHz

Filter Normal

Mode LSB

AGC Slow

NB1 NB2

SQL -150 dBFS

Input controls Receiver Options

FFT Settings

FFT size 4096

Rate 30 fps

Averaging

Pandapter WF

Zoom R C D

Color Cyan F

FFT Settings Audio

Questions?

Tks es 73 de KO4XL